

# Singer

753U 203

753U 303

754U 203

754U 303

# ILLUSTRATED PARTS LIST

## SINGER®

### MACHINE

**753U** 203 (FLAT BED, BOTTOM COVER)  
303 (2N, TAPE BINDING)  
303 (3N, TAPE BINDING)

**754U** 203 (FLAT BED, TOP + BOTTOM COVER)  
303 (2N, TAPE BINDING)  
303 (3N, TAPE BINDING)

WHICH DIFFER FROM 753U200 MACHINE

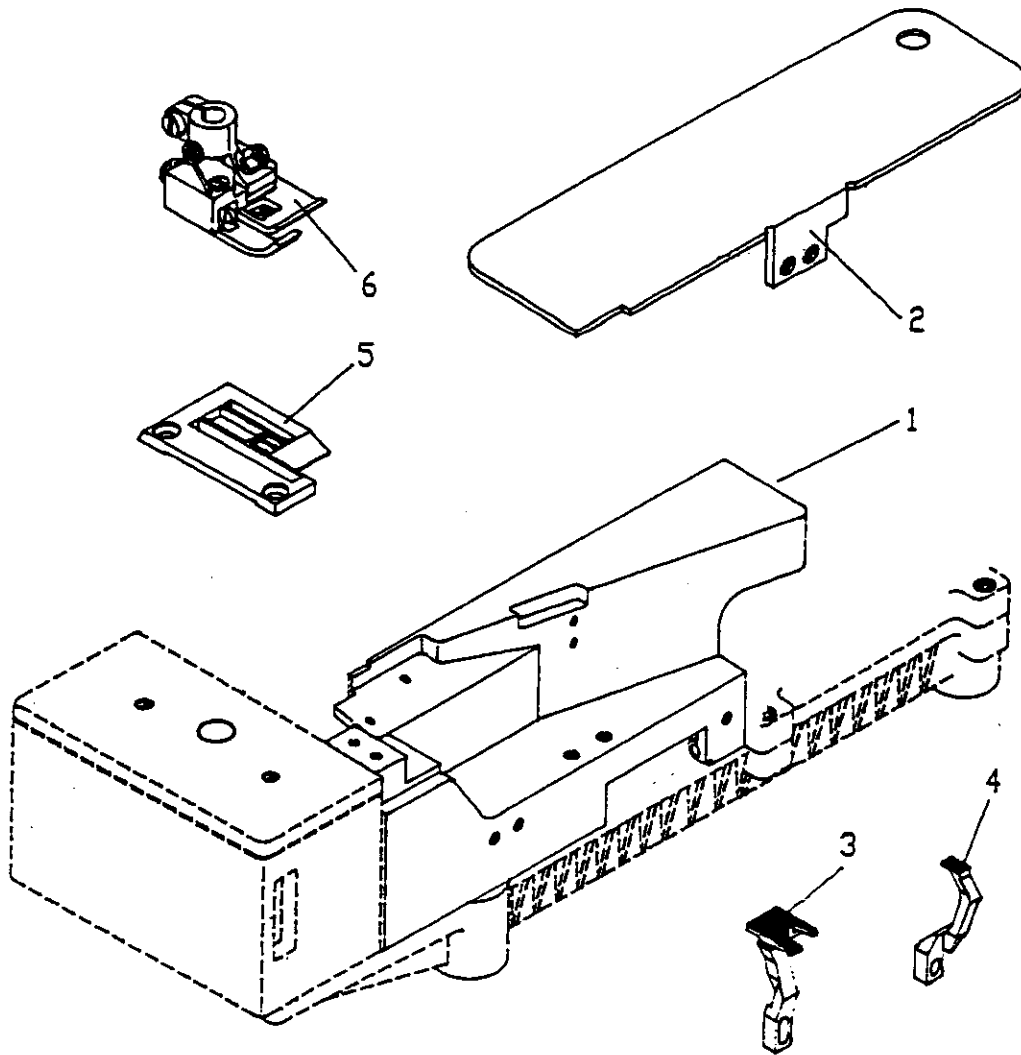
300

754U200

300

1. COLLARETTES OR KNITTED BINDING

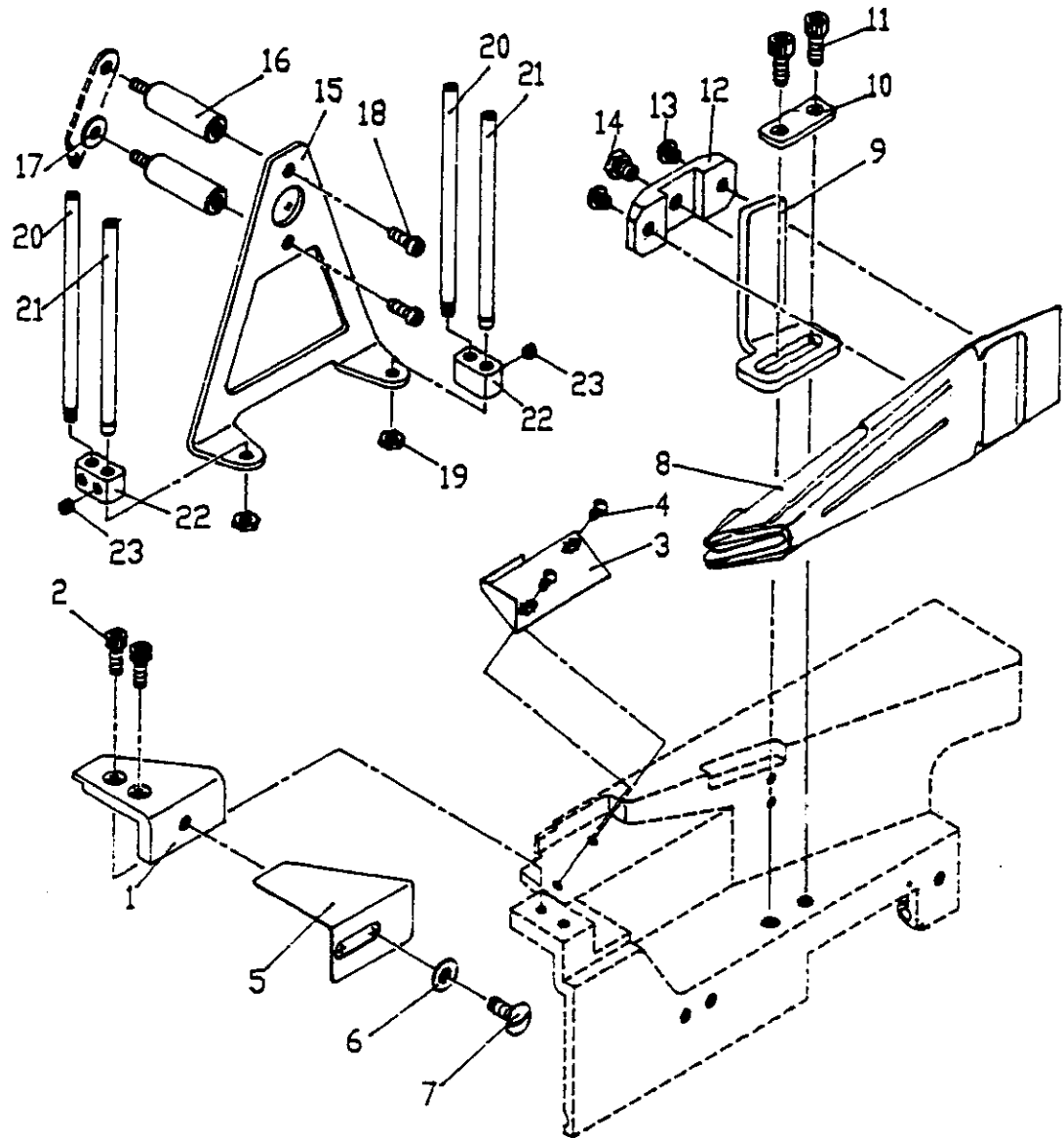
Note: When converting to a U300 it is also necessary to change the cloth plate (Large) to VF000201C200



Collarettes or Knitted Binding

<u>Ref. No.</u>	<u>Part No.</u>	<u>Description</u>	<u>Q' ty</u>
1	VF030101C200	Front Cover .....	1
2	VF030102B700	Dust Cover .....	1
3	VDFD03563	Main Feed Dog .....	1
4	VDFD03563	Differential Feed Dog .....	1
5	VTPC03403	Needle Plate (Gauge : 4.0 mm for 753U203/754U203) .....	1
5	VTPC03483	Needle Plate (Gauge : 4.8 mm for 753U203/754U203) .....	1
5	VTPC03563	Needle Plate (Gauge : 5.6 mm) .....	1
5	VTPC03643	Needle Plate (Gauge : 6.4 mm) .....	1
6	VPFC03403	Presser Foot (Gauge : 4.0 mm for 753U203/754U203) .....	1
6	VPFC03483	Presser Foot (Gauge : 4.8 mm for 753U203/754U203) .....	1
6	VPFC03563	Presser Foot (Gauge : 5.6 mm) .....	1
6	VPFC03643	Presser Foot (Gauge : 6.4 mm) .....	1




## 2. FOLDER AND TAPE GUIDE



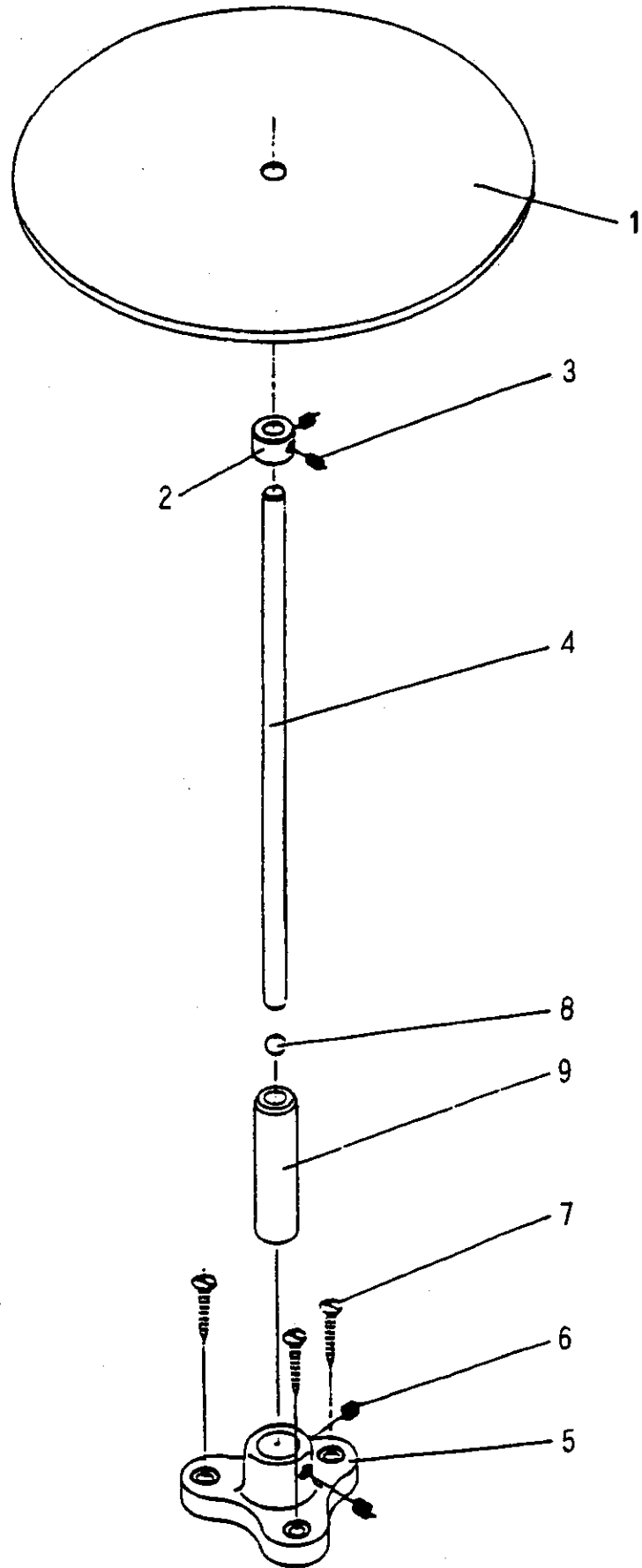
Folder and Tape Guide

<u>Ref. No.</u>	<u>Part No.</u>	<u>Description</u>	<u>Q' ty</u>
1	VF030201C200	Fabric Slide Plate -----	1
2	VMM04281207A	Screw -----	2
3	VF030203C700	Dust Cover -----	1
4	VMB04280507K	Screw -----	2
5	VC030214C700	Fabric Slide Plate -----	1
6	VC030216PW	Washer -----	1
7	VMB05320710A	Screw -----	1
8	-----	Folder (See List Below) -----	1
9	VF030209B700	Folder Support -----	1
10	VC030206B700	Fixing Plate -----	1
11	VMM05321409A	Screw -----	2
12	VC030202B400	Folder Clamp -----	1
13	VSB44400407A	Screw -----	2
14	VSK56320608A	Screw -----	1
15	VC030218B700	Tape Guide Holder -----	1
16	VC030219C300	Stud -----	2
17	VC030220PW	Washer -----	1
18	VMC04280807D	Screw -----	2
19	VSA44400307A	Nut -----	2
20	VC030223C300	Tape Guide Holder -----	2
21	VC030224C300	Tape Guide Holder -----	2
22	VC030225B400	Tape Adjusting Holder -----	2
23	VSN44400400A	Screw -----	4

8. Folder Type

Folder Type	Two Fold 	Three Fold 	Four Fold 
Part No.	VF030208FD2	VF030208FD3	VF030208FD4

3. TAPE STAND



Tape Stand

<u>Ref. No.</u>	<u>Part No.</u>	<u>Description</u>	<u>Q' ty</u>
1	VTS0050101	Plastic Plate -----	1
2	V6030533D300	Ring -----	1
3	VSH5632C500A	Screw -----	2
4	VTS0050104	Rod -----	1
5	VTS0050105	Stand Base -----	1
6	VSK60281207F	Screw -----	2
7	VWF50202210A	Screw -----	3
8	VB0100	Ball -----	1
9	VTS0050109	Stand Base -----	1